

# VENICEM

italy

## KITAMI WALL design Massimo Tonetto

Wall lamp with diffused light. Matte black nickel, polished black nickel, polished gold and light burnished brass structure and satin glass diffusers.



# VENICEM

italy

## KITAMI WALL

Function	Wall
Location	Interior
Light Emission	Diffused light
Light Source	4×MAX 1,5W G4 LED 200lm 2700°K (bulbs excluded)
Rated Voltage	110 - 120 V / 220 - 240 V
Frequency	50 - 60 Hz
Supply	Terminal block
Ballast	Ballast included

### Certifications

UL/C<sub>W</sub>CE   IP20

### Structure

**M04** Polished black nickel  
**M05** Polished gold  
**M07** Matte black nickel  
**M11** Light burnished brass

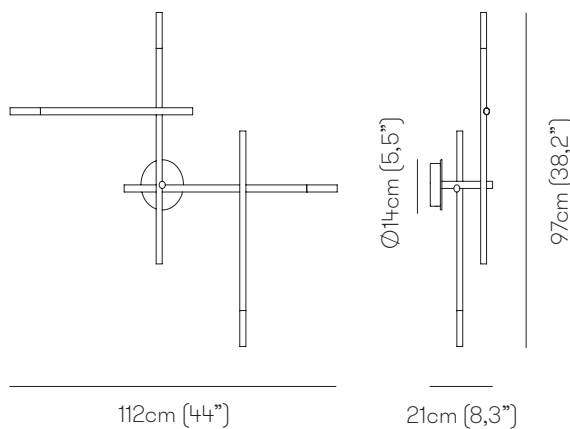
### Diffuser

**S** Satin

Package	Dimensions	Net Weight	Gross Weight	Total vol.
KITAMI WALL	64×100×H.34cm (25,2"×39,4"×13,4")	5kg	6kg	0,22 m <sup>3</sup>
KITAMI WALL SMALL	64×100×H.34cm (25,2"×39,4"×13,4")	4,5kg	6kg	0,22 m <sup>3</sup>

### Dimensions

#### KITAMI WALL



#### KITAMI WALL SMALL

