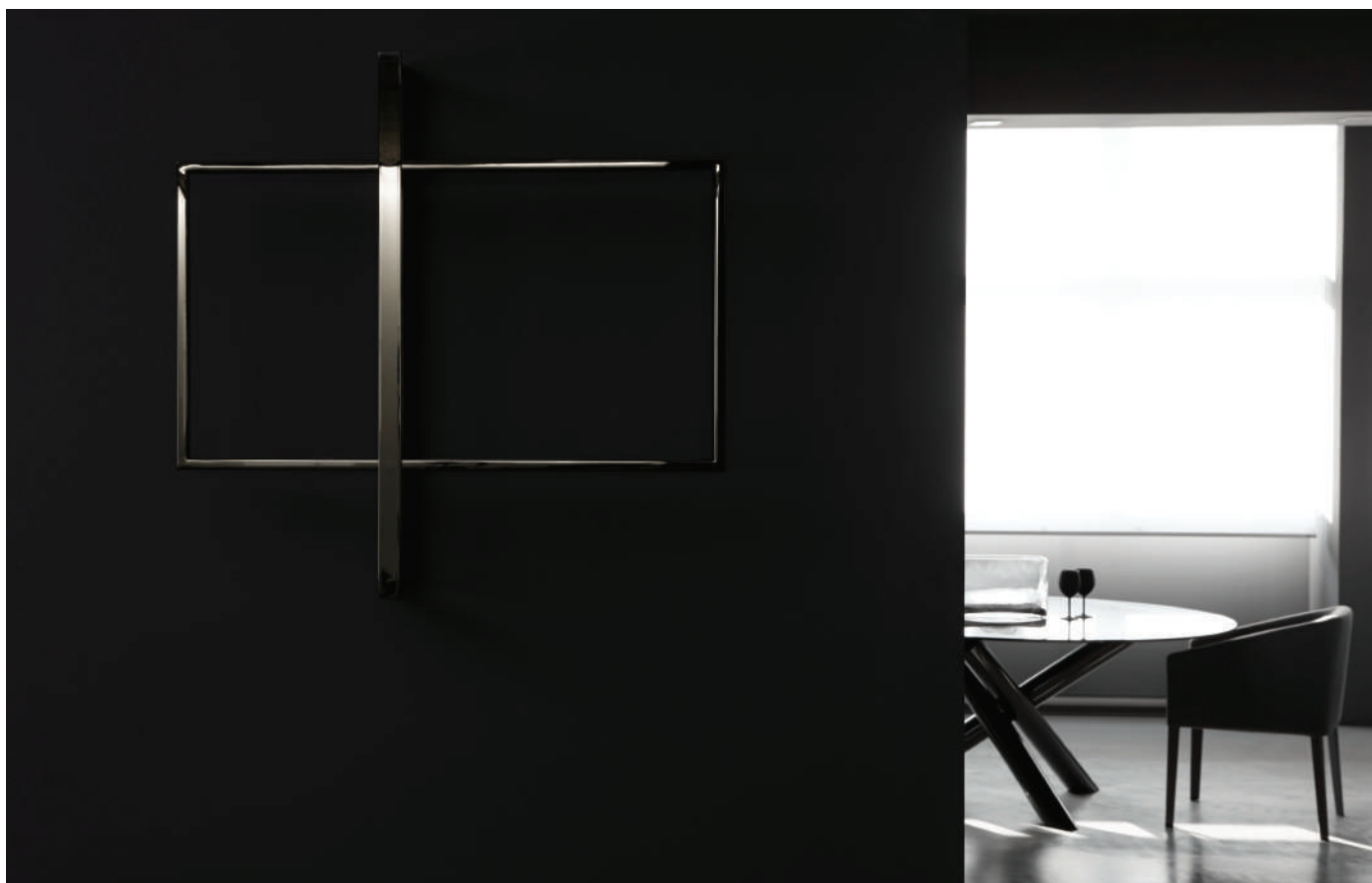


# VENICEM

italy

## MONDRIAN LED WALL design Massimo Tonetto

Wall lamp with direct and indirect light. Polished black nickel, polished gold, matte black nickel or light burnished brass structure.



# VENICEM

italy

## MONDRIAN LED WALL

Function	Wall
Location	Interior
Light Emission	Direct and indirect light
Light Source	Strip LED 14,5W 1890lm 2700°K
Energy Efficiency	F
Rated Voltage	110 - 120 V / 220 - 240 V
Frequency	50 - 60 Hz
Supply	Terminal block
Ballast	Ballast included

### Certifications



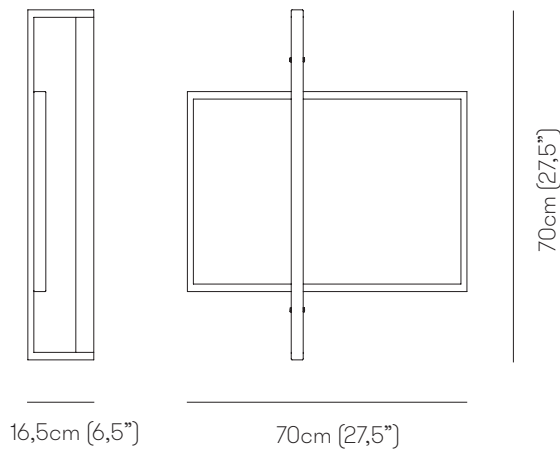
### Structure

<b>M04</b>	Polished black nickel
<b>M05</b>	Polished gold
<b>M07</b>	Matte black nickel
<b>M11</b>	Light burnished brass

DALI or TRIAC dimming kit available upon request

Package	Dimensions	Net Weight	Gross Weight	Total vol.
	85×85×H.32cm (33,5"×33,5"×12,6")	6kg	8,5kg	0,23 m <sup>3</sup>

### Dimensions



### Kit j-box

