

VENICEM

italy

URBAN LIGHTLINE SUSPENSION design Massimo Tonetto

Suspended lamp with direct and indirect light. Light burnished brass structure and matte black perforated metal lampshade.



VENICEM

italy

URBAN LIGHTLINE SUSPENSION

Function	Suspension
Location	Interior
Light Emission	Direct and indirect light
Light Source	1x50W LED 5475lm 2700°K
Energy Efficiency	A+
Rated Voltage	110 - 120 V / 220 - 240 V
Frequency	50 - 60 Hz
Supply	Terminal block
Ballast	Ballast included
Wiring cable length	250cm -98"4
Steel cable length	250cm -98"4

DALI or TRIAC dimming kit available upon request

Certifications

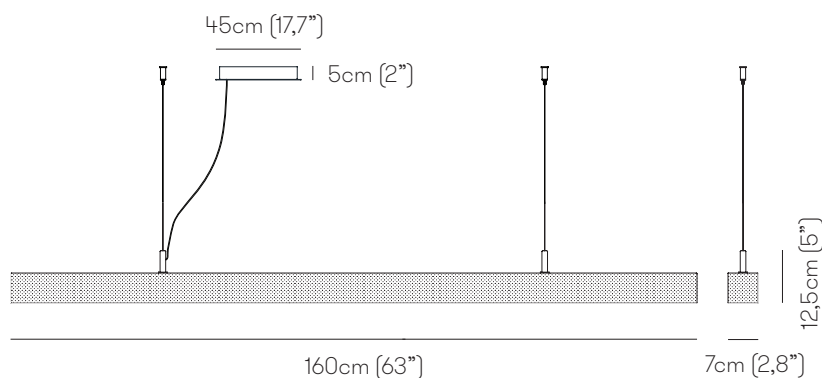


Structure

M11	Light burnished brass
+	+
MB	Matte black

Package	Dimensions	Net Weight	Gross Weight	Total vol.
	180x58xH.30cm (70,9"x22,8"xH.11,8")	8kg	13kg	0,31 m3

Dimensions



Kit j-box

