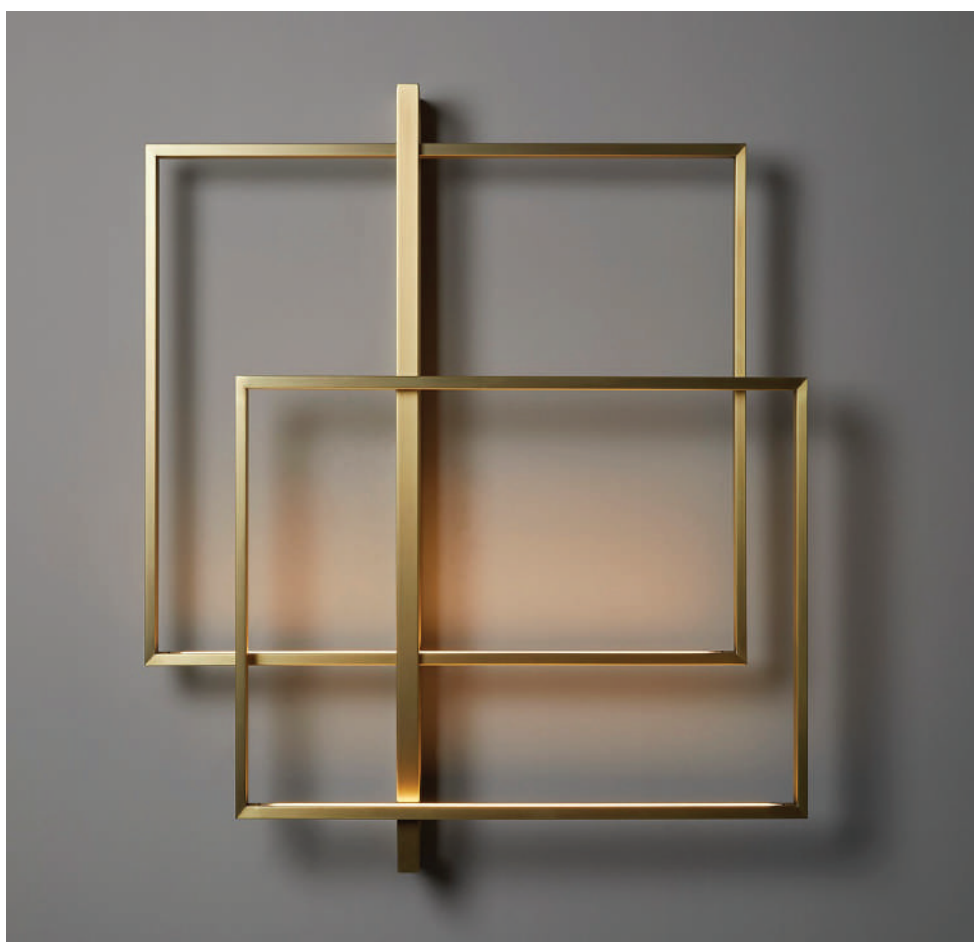


VENICEM

italy

MONDRIAN LED WALL DOUBLE design Massimo Tonetto

Wall lamp with indirect light. Polished black nickel, polished gold, matte black nickel or light burnished brass structure.



VENICEM

italy

MONDRIAN LED WALL DOUBLE

Function	Wall
Location	Interior
Light Emission	Indirect light
Light Source	Strip LED 20W 24V 1280lm
Energy Efficiency	F
Rated Voltage	110 - 120 V / 220 - 240 V
Frequency	50 - 60 Hz
Supply	Terminal block
Ballast	Ballast included

Certifications



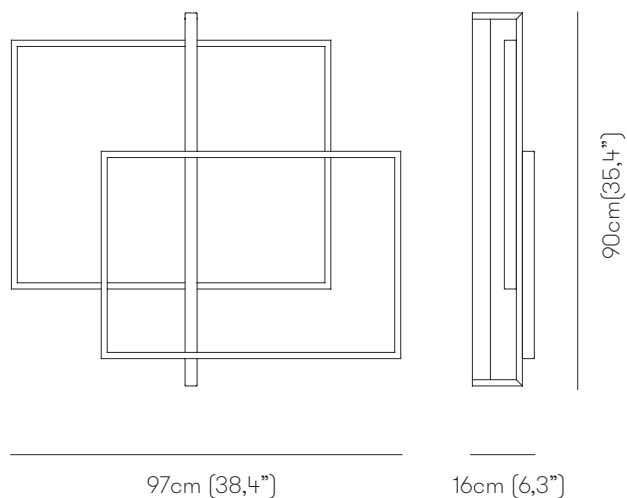
Structure

M04	Polished black nickel
M05	Polished gold
M07	Matte black nickel
M11	Light burnished brass

DALI or TRIAC dimming kit available upon request

Package	Dimensions	Net Weight	Gross Weight	Total vol.
	102×102×H.32cm (40,2"×40,2"×12,6")	10kg	14kg	0,33 m ³

Dimensions



Kit j-box

