

VENICEM

italy

RECTUS WALL TURNING ARM design Massimo Tonetto

Wall lamp with directional light. Dark burnished brass or matte black nickel and polished black nickel structure and adjustable joint.



VENICEM

italy

RECTUS WALL TURNING ARM

Function	Wall
Location	Interior
Light Emission	Directional light
Light Source	1x6W GU10 PAR 16 LED 560lm 2700°K CRI 80 Dimmable (bulbs excluded)
Rated Voltage	110 - 120 V / 220 - 240 V
Frequency	50 - 60 Hz

Certifications

UL/CE  IP20

Structure

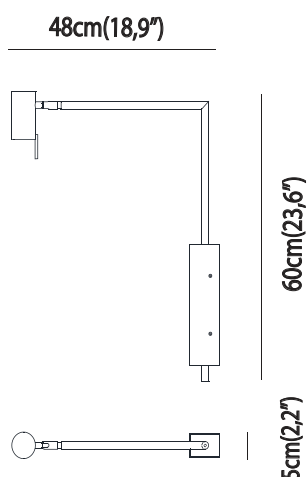
M07 Matte black nickel and polished black nickel

M12 Dark burnished brass

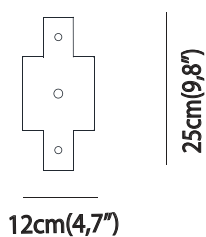
Package	Dimensions	Net Weight	Gross Weight	Total vol.
	76x76xH.22cm (29"9x29"9x8"7)	2,5kg	4kg	0,13 m ³

RECTUS WALL TURNING ARM


Dimensions



Kit j-box



RECTUS WALL TURNING ARM with EXTERNAL WIRE

Supply	Power cord
Switching	On/off switch
Cable Length	40cm-15"  190cm-75"

Dimensions

